

ELECTRICAL SPECIFICATIONS:

OPERATING TEMPERATURE RANGE: :  $-40^{\circ}\text{C}$  TO  $+85^{\circ}\text{C}$

1.0 TURNS RATIO: (P6-P5-P4) : (J6-J3) : 1CT :  $1\text{CT} \pm 3\%$   
 (P3-P2-P1) : (J2-J1) : 1CT :  $1\text{CT} \pm 3\%$

2.0 INDUCTANCE: (P6-P4) : 350uH MIN. @ 0.1V, 100KHz, 8mA DC Bias  
 (P3-P1) : 350uH MIN. @ 0.1V, 100KHz, 8mA DC Bias

3.0 LEAKAGE INDUCTANCE: P6-P4 (WITH J6 AND J3 SHORT) : 0.3 MAX. @ 1MHz  
 P3-P1 (WITH J2 AND J1 SHORT) : 0.3 MAX. @ 1MHz

4.0 INTERWINDING CAPACITANCE: (P6,P5,P4) TO (J6,J3) : 40pf MAX @ 1MHz  
 (P3,P2,P1) TO (J2,J1) : 40pf MAX. @ 1MHz

5.0 DC RESISTANCE: (J6-J3)=(J2-J1) : 1.2 ohms Max.

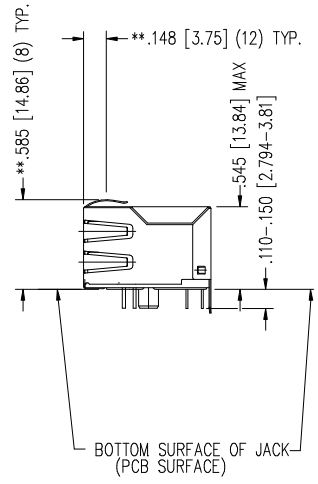
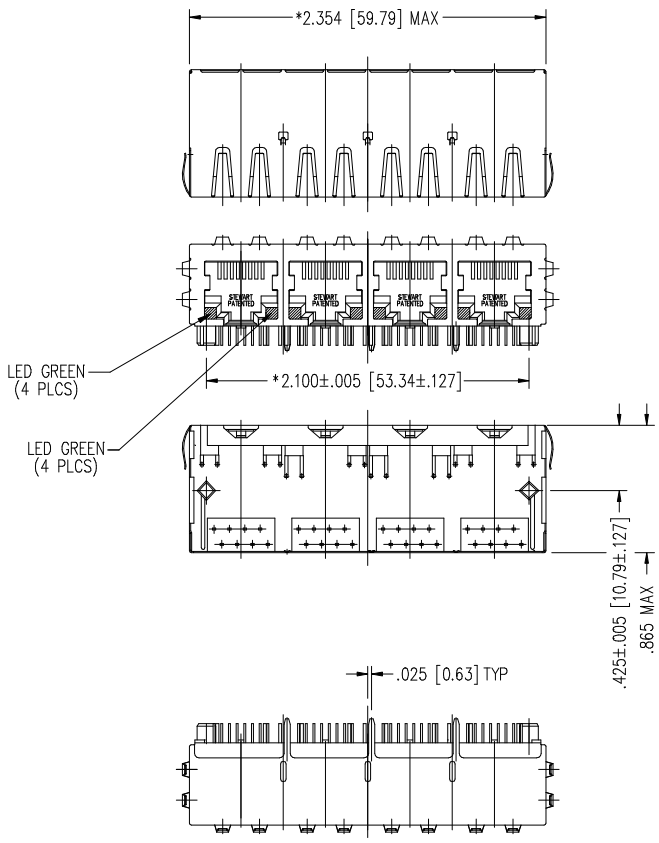
NOTE

1.0 P  
 CONN



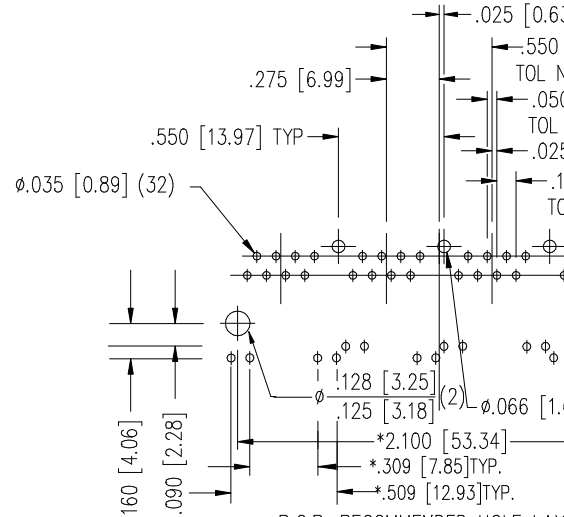
RECEIVE

- 6.0 RETURN LOSS: (P6-P4)=100 OHMS AND (P1-P3)=100 OHM REF.  
1MHz TO 30MHz : 18dB MIN.  
60MHz TO 80MHz : 12dB MIN.  
NOTE: 100 OHMS CONNECTED TO (J2-J1) OR (J6-J3).
- 7.0 DIELECTRIC WITHSTAND: (J1, J2) TO (P1, P3) : 1500 VAC  
(J3, J6) TO (P4,P6) : 1500 VAC
- 8.0 INSERTION LOSS: RS=RL=100 ohms : 1.1 dB TYP  
100KHz TO 100MHz
- 9.0 RISE TIME: RS=100 OHMS AND RL = 100 OHMS : 3.0 nS MAX  
OUTPUT VOLTAGE = 1 V peak : 3.0 nS MAX  
PULSE WIDTH= 112nS
- 10.0 CROSS TALK: 1MHz TO 100MHz : 40 dB TYP
- 11.0 COMMON TO COMMON MODE ATTENUATION: 30MHz TO 100MHz : 35dB TYP



NOTES:

- TOLERANCES COMPLY WITH
- DIMENSIONS SHOWN WITH ABOUT CENTER LINE
- "\*" ON DIMENSION INDICATES
- DIMENSIONS SHOWN ARE
- PIN NOT ELECTRICALLY CONNECTED
- SEE ELECTRICAL DRAWING
- STANDARD 50 MICRO-INCH GOLD PLATING



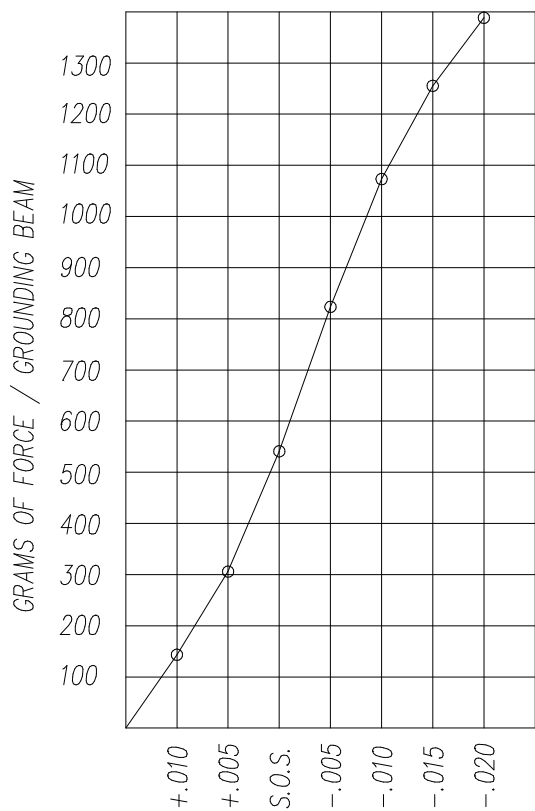
LED SPECIFICATION

POWER DISSIPATION: 105mW  
 FORWARD VOLTAGE : 2.2V GREEN (TYP)  
 WAVELENGTH : 565nm  
 INTENSITY @ 10ma : 2-8 MCD

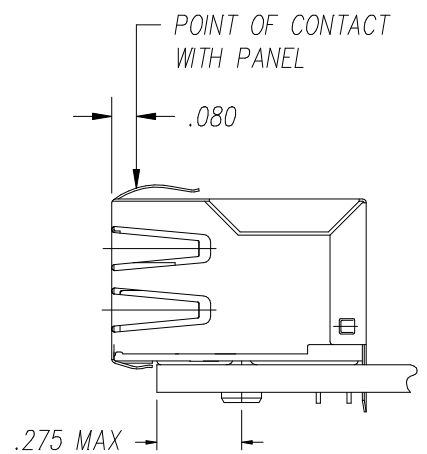
P.C.B. RECOMMENDED HOLE LAYOUT  
 SEEN FROM COMPONENT SIDE  
 TOLERANCE  $\pm .003 [0.08]$  UNLESS OTHERWISE SPECIFIED

CT720091/CT720074/24-0029

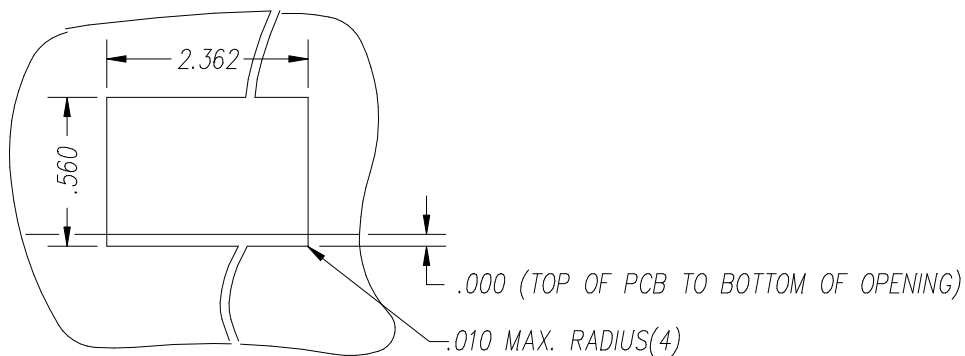
SHEET 3 OF 4



PANEL GROUNDING BEAM DEFLECTION  
S.O.S. = SUGGESTED OPENING SIZE



THE SUGGESTED PANEL...  
TO GIVE THE USER THE...  
REASONABLE JACK /...  
YET MAINTAIN RELIAB...  
CAPABILITY. THESE...  
ADJUSTED IN EITHER...  
CARRY SOME CONSEQ...  
OF LOWER MATING FO...  
ASSEMBLY TOLERANC...  
ON THE GRAPH ARE...  
TAKEN AT THE POINT...  
ABOVE. THE SUGGES...  
INCLUDES APPROXIMA...  
ON THE SIDES AND T...  
BOTTOM.



SUGGESTED PANEL OPENING

CT720035X1/24-001701